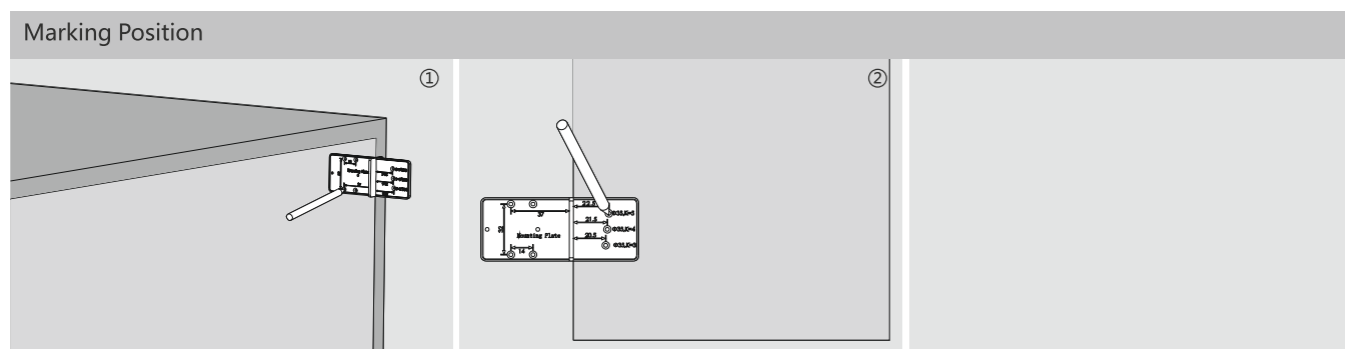
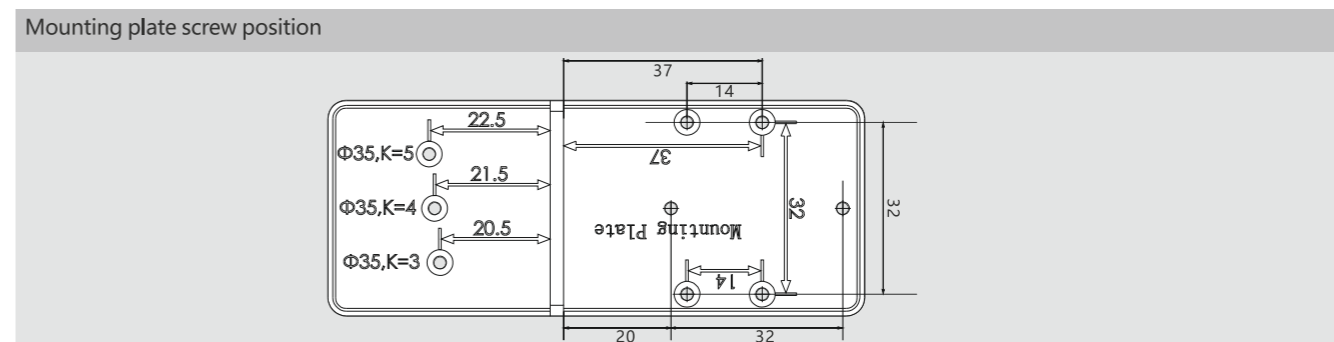


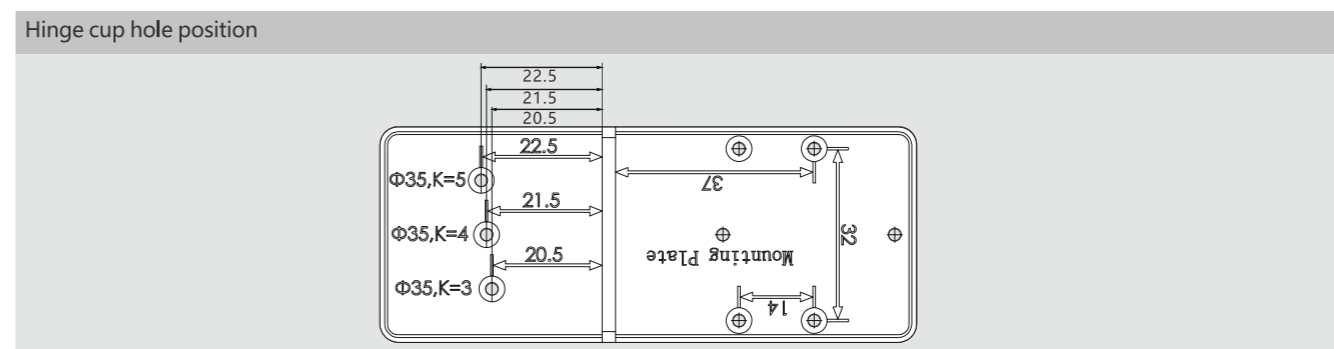


Order Information

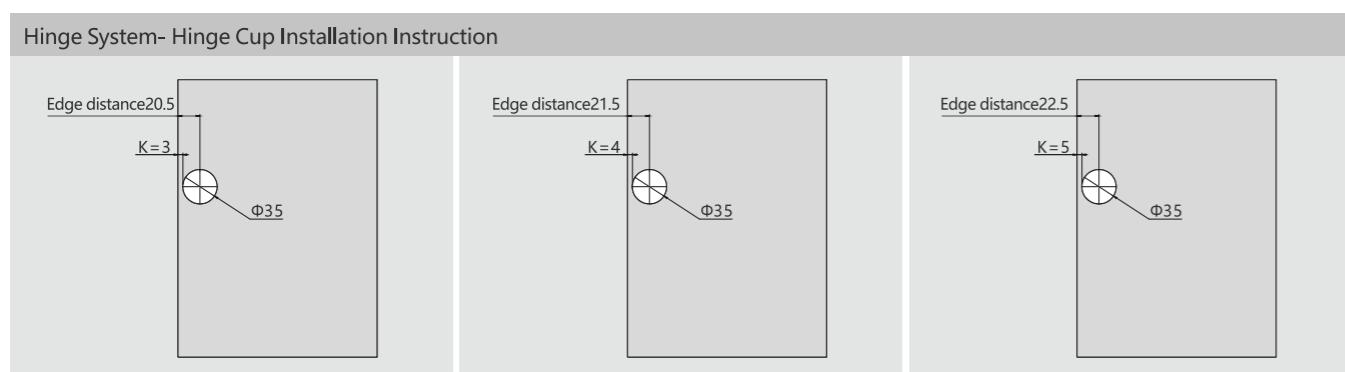
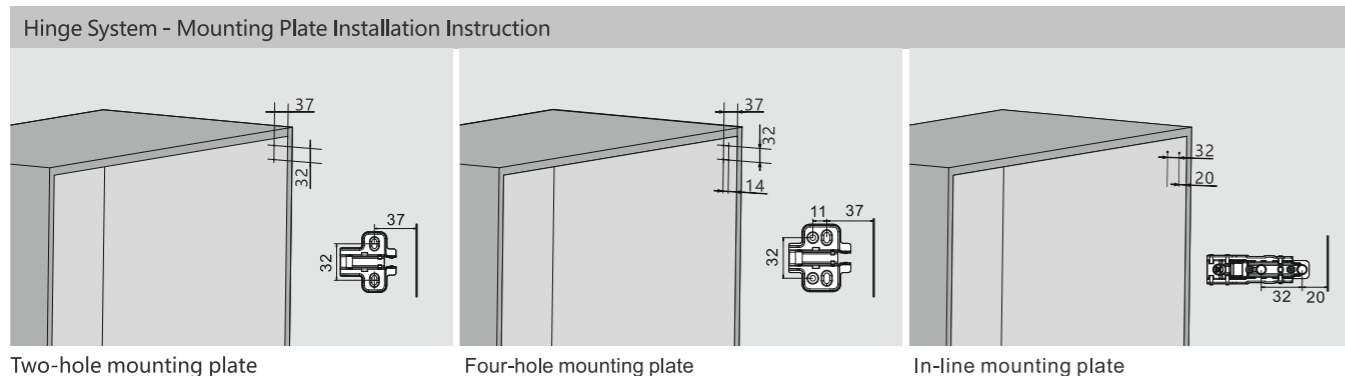
Universal Marking Template	
Item No.	JB37W
Pcs/ctn	200



- ① Mark the position of the mounting plate screw holes
- ② Mark the position of the hinge cup hole



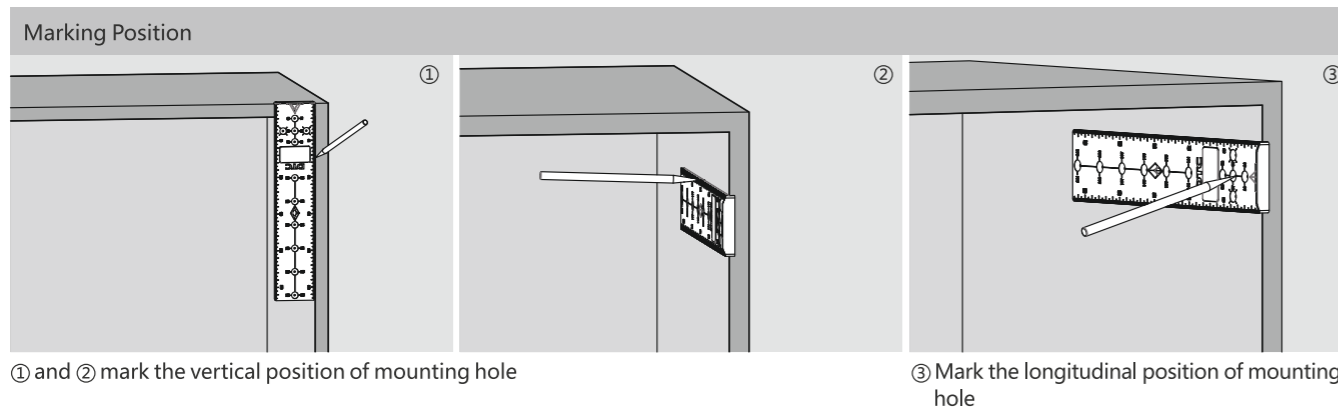
Application



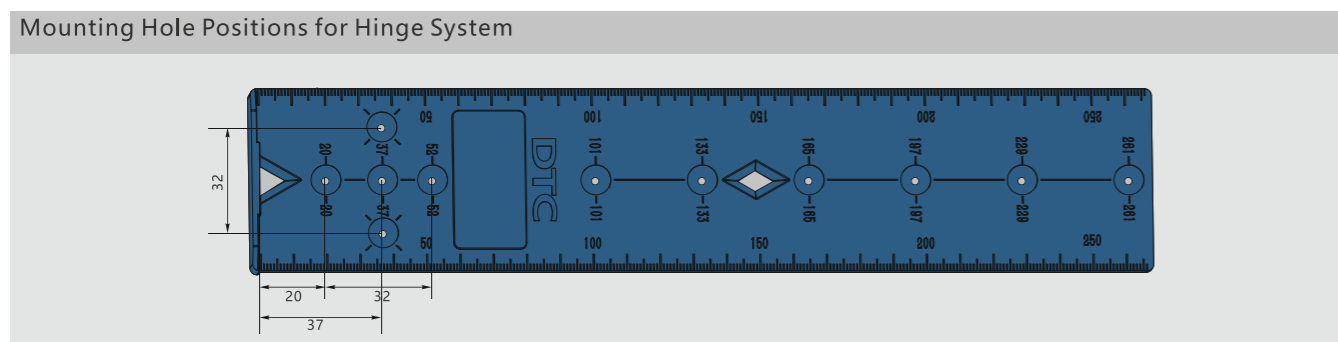
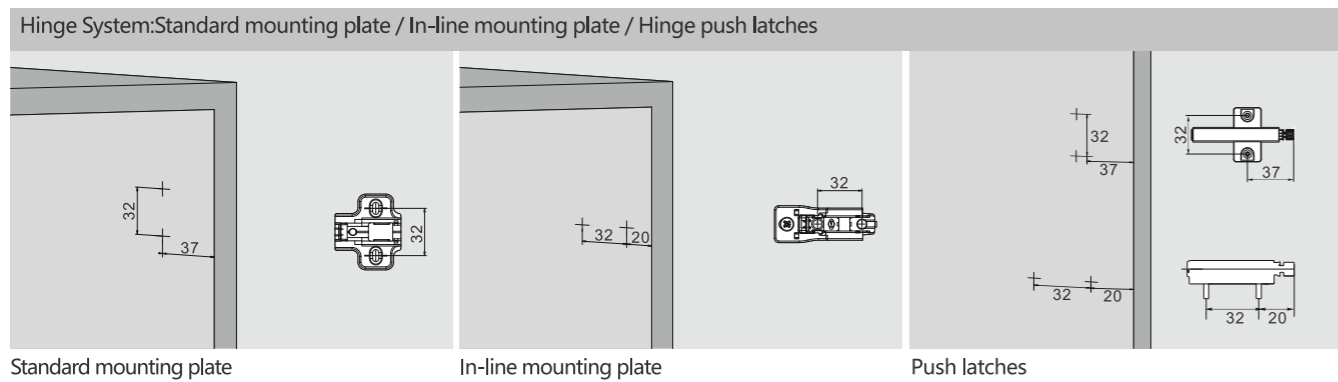


Order Information

	Universal Marking Template	
	Blue (H23)	
	Item No.	DT02
	Pcs/ctn	100



Application



DTC is always innovating!
For more information, please visit our website www.dtcctc.com