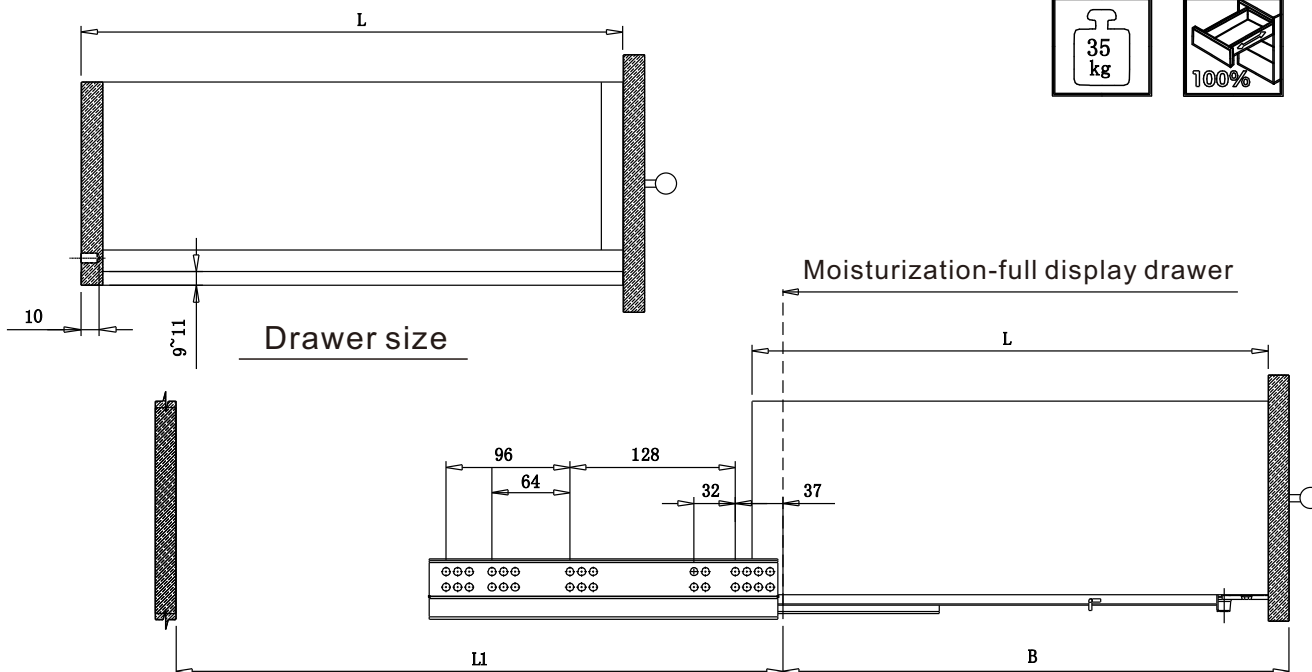
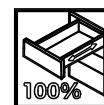
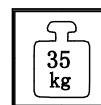


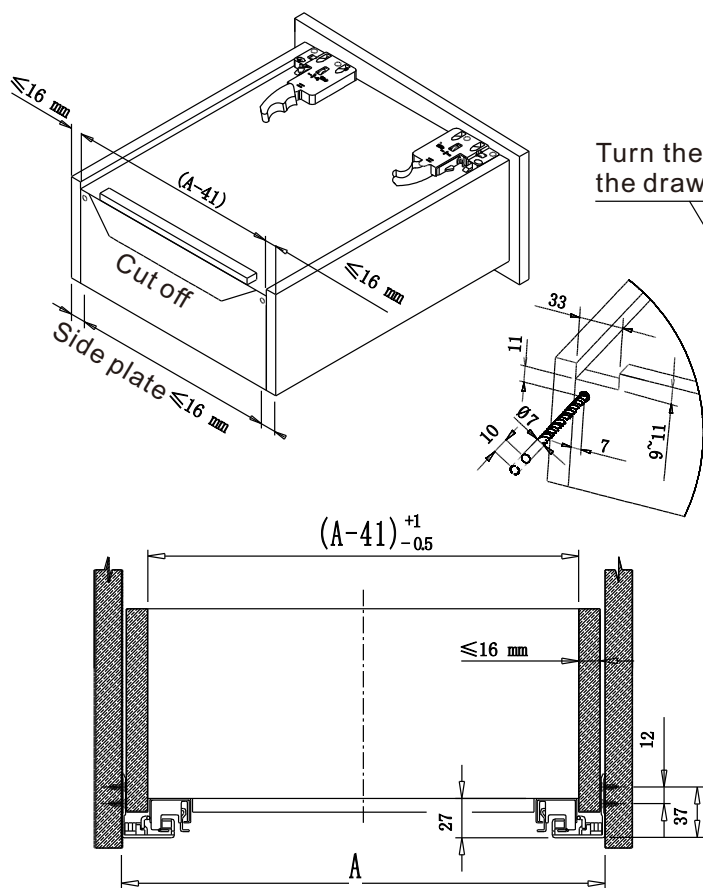
The synchronizing function upgrades the quality

Installation Notes

References						
Crystal specifications	300	350	400	450	500	550
Drawer size (L)	300	350	400	450	500	550
Minimum cabinet depth (L1)	320	370	420	470	520	570
Stretch length one-Reference (B)	290	340	390	440	490	540



Moisturization-full display drawer



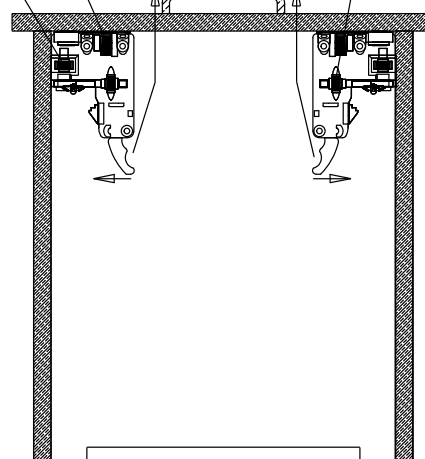
Front view of drawer

Turn the knob to adjust the drawer up and down

Turn the knob to adjust the drawer front and back

Turn the knob to adjust the drawer left and right

Unlock the drawer handle



Bottom view of drawer